

| | | |
|---------------|------------|-------------|
| BLACK | 53856-5011 | 50 |
| WHITE | 53856-5010 | 50 |
| HOUSING COLOR | ENG. No. | No. Of CKT. |

DO NOT SCALE DRAWING

| | | | |
|----------------------------------|----------------------------------|----------------------------------|----------------------------------|
| EC NO. DRWN: CHK: APPR: | EC NO. DRWN: CHK: APPR: | EC NO. DRWN: CHK: APPR: | EC NO. DRWN: CHK: APPR: |
| RELEASED | EC NO. JD2000-0925 | DRWN: THANYU '00/03/0 | CHK: MSASAO '00/03/0 |
| | | APPR: HIKESUGI '00/03/0 | |
| REV | DESCRIPTION | MATERIAL 材料 | FINISH 仕上り |
| 0 | | SEE NOTES | SEE NOTES |
| | WIRE RANGE 適用電線規格 | | |
| | INS. RANGE 被覆外径 | | |

| | | | | | |
|---|----------------|--|---|---|------------|
| GENERAL TOLERANCES: (UNLESS SPECIFIED) 一般公差 | SCALE 2 - 1 | DESIGN UNITS <input checked="" type="checkbox"/> mm <input type="checkbox"/> INCH | THIRD ANGLE PROJECTION | DIMENSIONS: <input type="checkbox"/> mm <input type="checkbox"/> INCH <input checked="" type="checkbox"/> mm ONLY | SHT REV |
| 10 UNDER 未満 | ±0.2 | DRAWN BY & DATE <i>T. Hamura</i> '00/03/10 | TITLE: CF CARD CONN. 50P HEADER ASS'Y | | |
| 10 OVER 30 UNDER 以上 未満 | ±0.25 | CHECKED BY & DATE <i>M. Sasao</i> '00/03/10 | MATERIAL NO. SEE CHART | | |
| 30 OVER 以上 | ±0.3 | APPROVED BY & DATE <i>H. Sasao</i> '00/03/10 | DRAWING NO. SD-53856-002 | | |
| ANGLE 角度 | ±3° | CAD FILENAME SD-53856-002.S01 | SHEET NO. 1 OF 2 | | |

| | | | | | | | |
|--|--|--|----------------------------------|--|-----|--------------------------|--|
| 53856-501 | | MODEL No. | DIMENSIONS: | | SHT | REV | |
| | | <input checked="" type="checkbox"/> mm <input type="checkbox"/> INCH | <input type="checkbox"/> mm ONLY | | | | |
| | | MATERIAL NO. SEE CHART | | | | DRAWING NO. SD-53856-002 | |
| | | DRAWN BY & DATE | | | | SHEET NO. 1 OF 2 | |
| | | CHECKED BY & DATE | | | | SIZE B | |
| | | APPROVED BY & DATE | | | | EN-02J(097) MXJ-54 | |
| | | CAD FILENAME | | | | | |
| | | SD-53856-002.S01 | | | | | |
| THIS DRAWING CONTAINS INFORMATION THAT IS PROPRIETARY TO MOLEX INCORPORATED AND SHOULD NOT BE USED WITHOUT WRITTEN PERMISSION. | | | | | | | |

DWG. NO. SD-53856-002

DO NOT SCALE DRAWING

注) NOTES

1. 材質 MATERIAL
 ハウジング: ガラス入り LCP UL94V-0
 HOUSING: LCP G.F. UL94V-0

ピン: リン青銅
 PIN: PHOSPHOR BRONZE
 ナール: リン青銅
 NAIL: PHOSPHOR BRONZE

2. メッキ仕様 PLATING

PIN 接点部: パラジウムニッケル下地、金メッキ
 CONTACT AREA: Au OVER Pd-Ni
 半田付け部: 半田メッキ
 SOLDER TAIL AREA: TIN-LEAD
 下地メッキ: ニッケルメッキ
 UNDERPLATING: Ni OVER ALL

NAIL 半田メッキ
 Sn-Pb
 下地メッキ: 銅メッキ
 UNDERPLATING: Cu OVER ALL

3. 推奨基板厚: $t \geq 0.8$ MIN.
 RECOMMENDED P.C.B. THICKNESS: $t \geq 0.8$ MIN.

4. 適合カード厚 RECOMMENDED CARD THICKNESS
 接続部: 3.3 ± 0.1
 CONNECTING AREA: 3.3 ± 0.1

5. 適合カード幅: 42.8 ± 0.1
 RECOMMENDED CARD WIDTH: 42.8 ± 0.1

6. ハウジング色: HOUSING COLOR:
 53856-5010: 白 (WHITE)
 53856-5010: 黒 (BLACK)

7. 寸法適用極: 1,13,38,50
 THIS DIMENSION APPLIES TO CIRCUIT NUMBERS
 1, 13, 38 AND 50.

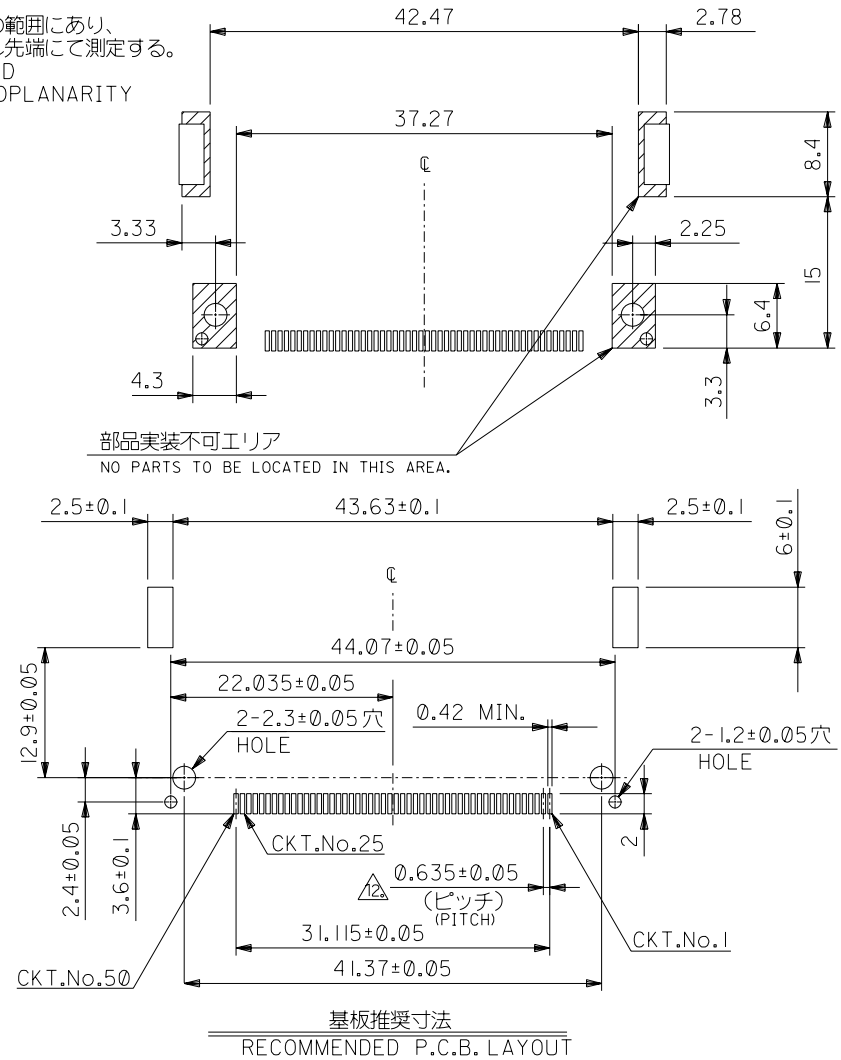
8. 寸法適用極: 25,26
 THIS DIMENSION APPLIES TO CIRCUIT NUMBERS 25 AND 26.

9. ピンの倒れは、ピン根元を基準に全方向へ 0.1 MAX. とする。
 PIN TIP LEAN TOWARD ANY DIRECTION NOT TO EXCEED 0.1
 WHEN MEASURED FROM PIN BASE.

10. ピン根元に適用する。
 THIS DIMENSION TO BE MEASURED AT PIN BASE.

11. ソルダータールは、Z面を基準とし上へ 0.05 下へ 0.2 の範囲にあり、
 且つソルダータールの平坦度は、 0.15 MAX. とし、テール先端にて測定する。
 SOLDER TAILS TO BE WITHIN 0.05 UPWARD AND 0.2 DOWNWARD FROM Z-DATUM PLACE, AND COPLANARITY
 OF SOLDER TAILS TO BE WITHIN 0.15 .
 MEASUREMENT POINT IS SOLDER TAILS TIP.

12. 公差非累積
 NON-CUMULATIVE



| | | | | | | | | | | | | | | | | | | | |
|--------|-------|------|-------|--------|-------|------|-------|--------|-------|------|-------|--------|-------|------|-------|--------|-------|------|-------|
| EC NO. | DRWN: | CHK: | APPR: | EC NO. | DRWN: | CHK: | APPR: | EC NO. | DRWN: | CHK: | APPR: | EC NO. | DRWN: | CHK: | APPR: | EC NO. | DRWN: | CHK: | APPR: |
| | | | | | | | | | | | | | | | | | | | |

| | |
|-------------------|-------|
| MATERIAL 材料 | — # — |
| FINISH 仕上げ | — # — |
| WIRE RANGE 適用電線範囲 | — # — |
| INS. RANGE 被覆外径 | — # — |

| | | |
|---|-----------|---|
| GENERAL TOLERANCES: (UNLESS SPECIFIED) 一般公差 | SCALE 2-1 | DESIGN UNITS <input checked="" type="checkbox"/> mm <input type="checkbox"/> INCH |
| 10 UNDER 未満 | ±0.2 | DRAWN BY & DATE T. Hamano '00/03/10 |
| 10 OVER 30 UNDER 未満 | ±0.25 | |
| 30 OVER 以上 | ±0.3 | |
| ANGLE 角度 | ±3° | CHECKED BY & DATE M. Sasaki '00/03/10 |
| | | APPROVED BY & DATE [Signature] '00/03/10 |
| | | CAD FILE NAME SD-53856-002.S02 |

| | | | |
|--|--------------|-----------|--------------------|
| DIMENSIONS: <input type="checkbox"/> mm <input type="checkbox"/> INCH <input checked="" type="checkbox"/> mm ONLY | | SHT | REV |
| | | | REVISE ON CAD ONLY |
| TITLE: CF CARD CONN. 50P HEADER ASS'Y | | | |
| MOLEX INCORPORATED | | | |
| MATERIAL NO. | DRAWING NO. | SHEET NO. | |
| — # — | SD-53856-002 | 2 | |
| THIS DRAWING CONTAINS INFORMATION THAT IS PROPRIETARY TO MOLEX INCORPORATED AND SHOULD NOT BE USED WITHOUT WRITTEN PERMISSION. | | | SIZE B |

SD-53856-002.S02